

*Huvitz Instrument Table*



CIT 4000  
Instrument Table

**Huvitz** Re:define. Re+create

# Huvitz Instrument Table

Free load for Huvitz Instruments

You can easily install Huvitz Instruments, Slit Lamp HS-5000 or Auto Refractometer.

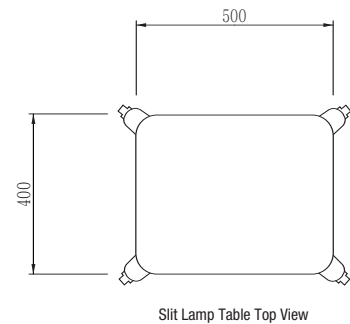
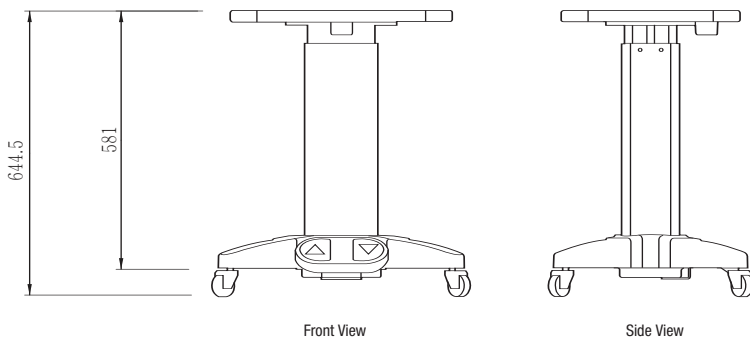
Easy up, down movement by simple pedal operation

## INSTRUMENT TABLE - CIT 4000

### SPECIFICATIONS

Table Top for Slit Lamp HS-5000

(Table Top can be replaced as below to install Huvitz Slit Lamp HS-5000)



Dimensions	Same as above pictures
Weight	26kg(including Table Top for Auto Refractometer) 29kg(including Table Top for Slit Lamp HS-5000)
Power Supply	AC 220-230V, 50/60Hz
Travel Length	250 mm
Speed	22mm/sec(under 40kg), 11mm/sec(under 60kg)
Load	Max 60kg
Others	Up, down movement operation pedal included

Designs and details can be changed without prior notice for its improvements.



**Huvitz**

Huvitz Bldg., 298-29, Gongdan-ro, Gunpo-si,  
Gyeonggi-do, 435-862, Korea  
Tel:+82-31-442-8868 Fax:+82-31-428-9145  
<http://www.huvitz.com>

Distributed by